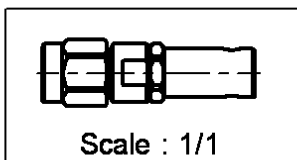
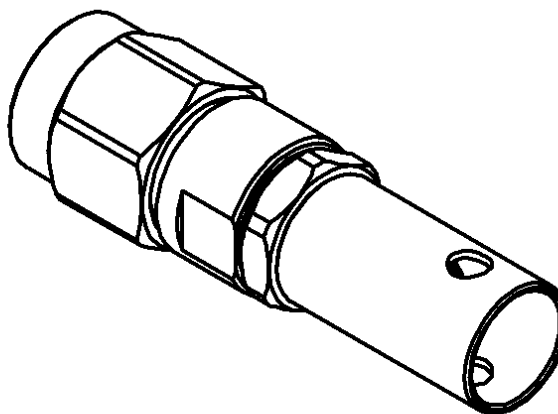
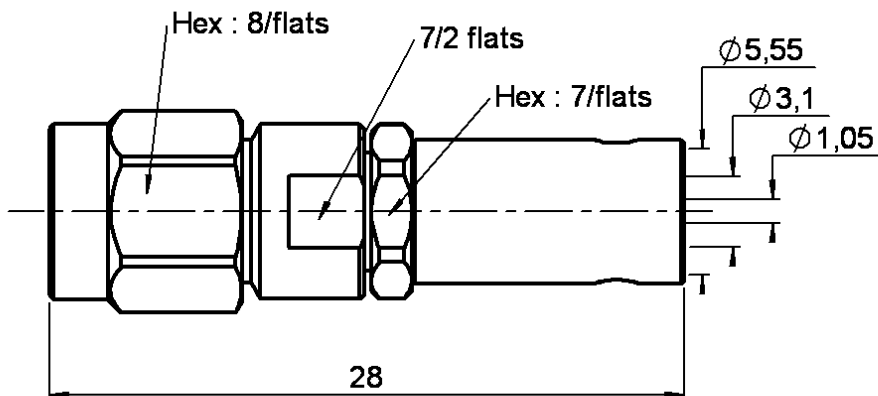


STRAIGHT PLUG CRIMP OR SOLDER TYPE

R125.078.000

CABLE 5/50 D

Series : SMA



All dimensions are in mm.

COMPONENTS	MATERIALS	PLATING
BODY	STAINLESS STEEL	GOLD 0.5 OVER NICKEL 2 µm
CENTRE CONTACT	BRASS	GOLD 1.3 OVER NICKEL 2 µm
OUTER CONTACT	-	- µm
INSULATOR	PTFE	
GASKET	SILICONE RUBBER	
OTHERS PARTS	STAINLESS STEEL	GOLD 0.5 OVER NICKEL 2 µm
-	-	-
-	-	-



Edition : 9840 G

Design changes may be in order to improve the product.

STRAIGHT PLUG CRIMP OR SOLDER TYPE

R125.078.000

CABLE 5/50 D

Series : SMA

ELECTRICAL CHARACTERISTICS

Impedance **50** Ω
 Frequency **0-12.4** GHz
 VSWR **1.15 + 0.010** x F(GHz) Maxi
 Insertion loss **0.06** √F(GHz) dB
 RF leakage - (**60** - F(GHz)) dB mini
 Operating temperature **-65/+165** °C
 Voltage rating **335** Veff Maxi
 Dielectric withstanding **1000** Veff mini
 Insulation resistance **5000** MΩ mini

SPECIFICATION

Stripping	a	b	c	d	e	f
mm	3.50	7.00	13.5	0.00	10.0	0.00

Assembly instruction : **CRIMP 10**

Recommended cables

RG 223
 RG 142
 RG 400
 KX 23
 RG 142 FTX

Cable retention

- pull off **204** N mini
 - torque **NA** N.cm

MECHANICAL CHARACTERISTICS

Centre contact retention
 Axial force – Mating end **27** N mini
 Axial force – Opposite end **27** N mini
 Torque **NA** N.cm mini

TOOLING

Part Number	Description	Hexagon
.	.	.
R282.235.011	CRIMPING DIES	5.40
R282.293.000	CRIMPING TOOL	-
R282.223.000	CRIMPING TOOL	5.40

Recommended torque
 Mating **100** N.cm
 Panel nut **NA** N.cm
 Clamp nut **100** N.cm
 A/F clamp nut **7.000** mm

Mating life **500** Cycles mini
 Weight **0.000** g

OTHERS CHARACTERISTICS

-

ENVIRONMENTAL

Hermetic seal **NA** Atm.cm3/s
 Leakage – pressurised only **NA** Mpa



Edition : 9840 G

Design changes may be in order to improve the product.